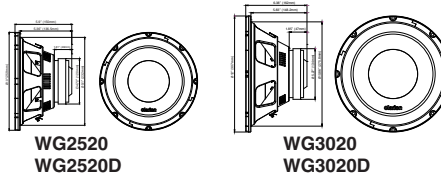


WG2520 10 Inch Single Voice Coil Subwoofer (4Ω)  
 WG2520D 10 Inch Dual Voice Coil Subwoofer (4Ω) + (4Ω)  
 WG3020 12 Inch Single Voice Coil Subwoofer (4Ω)  
 WG3020D 12 Inch Dual Voice Coil Subwoofer (4Ω) + (4Ω)



## WG Subwoofer

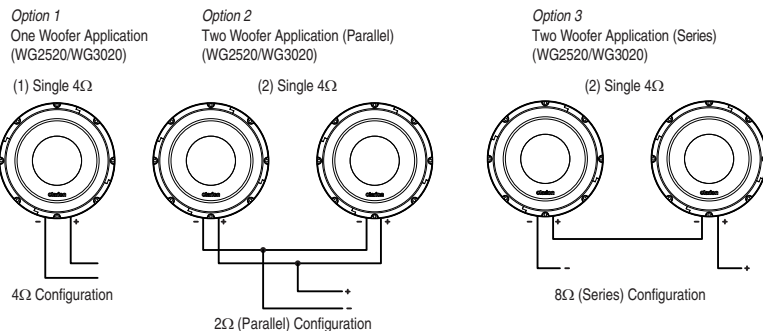
Owner's & Installation manual  
 Mode d'emploi et manuel d'installation  
 Manual de instrucciones y de instalación

	WG2520	WG2520D	WG3020	WG3020D
<b>General Specifications</b>				
Subwoofer size	10"	10"	12"	12"
Maximum Power Handling	1000W	1000W	1000W	1000W
Continuous Power Handling	300W	300W	300W	300W
Impedance	4Ω	Dual (4Ω)+(4Ω)	4Ω	Dual (4Ω)+(4Ω)
Frequency Response	30Hz to 1kHz	30Hz to 1kHz	25Hz to 1kHz	25Hz to 1kHz
SPL	87dB	87dB	88dB	88dB
Mounting Depth	5-3/8"	5-3/8"	5-7/8"	5-7/8"
Mounting Hole Diameter	9-7/32"	9-7/32"	11"	11"
<b>Sealed enclosure specifications</b>				
Recommended Sealed (cubic feet)	0.75	0.75	1.0	1.0
Minimum Sealed (cubic feet)	0.50	0.50	0.75	0.75
Maximum Sealed (cubic feet)	1.00	1.00	1.25	1.25
Fc	57.43 Hz	55.48 Hz	58.80 Hz	60.61 Hz
<b>Ported enclosure specifications</b>				
Recommended vented (cubic feet)	1.25	1.25	1.50	1.50
Recommended port size (WxHxL) inch	1.0x11.1x21	1.0x11.1x21	1.18x12.7x23	1.18x12.7x23
Minimum vented (cubic feet)	1.00	1.00	1.25	1.25
Maximum vented (cubic feet)	1.50	1.50	1.75	1.75
Fb	32 Hz	22 Hz	31.45 Hz	23.54 Hz
F3	36 Hz	35 Hz	39.08 Hz	39.08 Hz
<b>Thiele small parameters</b>				
Re in series (±10%)	3.79 Ohm	7.43 Ohm	3.63 Ohm	7.49 Ohm
Le	0.69 mH	1.08 mH	0.75 mH	1.34 mH
Voice coil diameter	38.6 mm	38.6 mm	50.8 mm	50.8 mm
Voice coil length	22 mm	22 mm	22mm	22 mm
Sd	337 cm <sup>2</sup>	337 cm <sup>2</sup>	523 cm <sup>2</sup>	523 cm <sup>2</sup>
Vas	39.8 L	40.8 L	93.4 L	65.5 L
Fs	34 Hz	36.6 Hz	28 Hz	34 Hz
Qts	0.54	0.63	0.43	0.63
Qes	0.59	0.72	0.46	0.72
Mms	89.2 g	74.7 g	130.8 g	130.8 g
Mmd	85.7 g	71.2 g	124.0 g	124.0 g
BL	11.02 N/A	11.02 N/A	13.61 N/A	17.15 N/A
Xmax	6 mm	6 mm	6 mm	6 mm
Magnet weight	30 oz	30 oz	39 oz	39 oz

	WG2520	WG2520D	WG3020	WG3020D
<b>Spécifications générales</b>				
Taille du caisson de basse	10"	10"	12"	12"
Gestion de la puissance maximale	1000W	1000W	1000W	1000W
Gestion de la puissance continue	300W	300W	300W	300W
Impédance	4Ω	Dual (4Ω)+(4Ω)	4Ω	Dual (4Ω)+(4Ω)
Réponse en fréquence	30Hz to 1kHz	30Hz to 1kHz	25Hz to 1kHz	25Hz to 1kHz
SPL	87dB	87dB	88dB	88dB
Profondeur de montage	5-3/8"	5-3/8"	5-7/8"	5-7/8"
Diamètre du trou de montage	9-7/32"	9-7/32"	11"	11"
<b>Spécifications de l'enceinte SCELLÉE</b>				
Volume scellé recommandé (pieds cubes)	0.75	0.75	1.0	1.0
Volume scellé minimum (pieds cubes)	0.50	0.50	0.75	0.75
Volume scellé maximum (pieds cubes)	1.00	1.00	1.25	1.25
Fc	57.43 Hz	55.48 Hz	58.80 Hz	60.61 Hz
<b>Spécifications de l'enceinte à évent</b>				
Volume ventilé recommandé (pieds cubes)	1.25	1.25	1.50	1.50
Taille d'évent recommandée (largeur x hauteur x longueur) inch	1.0x11.1x21	1.0x11.1x21	1.18x12.7x23	1.18x12.7x23
Volume ventilé minimum (pieds cubes)	1.00	1.00	1.25	1.25
Volume ventilé maximum (pieds cubes)	1.50	1.50	1.75	1.75
Fb	32 Hz	22 Hz	31.45 Hz	23.54 Hz
F3	36 Hz	35 Hz	39.08 Hz	39.08 Hz
<b>Paramètres Thiele-Small</b>				
Re en série (±10 %)	3.79 Ohm	7.43 Ohm	3.63 Ohm	7.49 Ohm
Le	0.69 mH	1.08 mH	0.75 mH	1.34 mH
Diamètre de bobine acoustique	38.6 mm	38.6 mm	50.8 mm	50.8 mm
Longueur de bobine acoustique	22 mm	22 mm	22mm	22 mm
Sd	337 cm <sup>2</sup>	337 cm <sup>2</sup>	523 cm <sup>2</sup>	523 cm <sup>2</sup>
Vas	39.8 L	40.8 L	93.4 L	65.5 L
Fs	34 Hz	36.6 Hz	28 Hz	34 Hz
Qts	0.54	0.63	0.43	0.63
Qes	0.59	0.72	0.46	0.72
Mms	89.2 g	74.7 g	130.8 g	130.8 g
Mmd	85.7 g	71.2 g	124.0 g	124.0 g
BL	11.02 N/A	11.02 N/A	13.61 N/A	17.15 N/A
Xmax	6 mm	6 mm	6 mm	6 mm
Poids de l'aimant	30 oz	30 oz	39 oz	39 oz

	WG2520	WG2520D	WG3020	WG3020D
<b>Especificaciones generales</b>				
Tamaño del subwoofer	10"	10"	12"	12"
Manipulación de potencia máxima	1000W	1000W	1000W	1000W
Manipulación de potencia continua	300W	300W	300W	300W
Impedancia	4Ω	Dual (4Ω)+(4Ω)	4Ω	Dual (4Ω)+(4Ω)
Respuesta a la frecuencia	30Hz to 1kHz	30Hz to 1kHz	25Hz to 1kHz	25Hz to 1kHz
SPL	87dB	87dB	88dB	88dB
Profundidad de montaje	5-3/8"	5-3/8"	5-7/8"	5-7/8"
Diámetro del orificio de montaje	9-7/32"	9-7/32"	11"	11"
<b>Especificaciones del gabinete SELLADO</b>				
Sellado recomendado (pies cúbicos)	0.75	0.75	1.0	1.0
Sellado mínimo (pies cúbicos)	0.50	0.50	0.75	0.75
Sellado máximo (pies cúbicos)	1.00	1.00	1.25	1.25
Fc	57.43 Hz	55.48 Hz	58.80 Hz	60.61 Hz
<b>Especificaciones del gabinete CON PUERTOS</b>				
Ventilación recomendada (pies cúbicos)	1.25	1.25	1.50	1.50
Tamaño de puerto recomendado (ancho x alto x largo)	1.0x11.1x21	1.0x11.1x21	1.18x12.7x23	1.18x12.7x23
Ventilación mínima (pies cúbicos)	1.00	1.00	1.25	1.25
Ventilación máxima (pies cúbicos)	1.50	1.50	1.75	1.75
Fb	32 Hz	22 Hz	31.45 Hz	23.54 Hz
F3	36 Hz	35 Hz	39.08 Hz	39.08 Hz
<b>Parámetros Thiele-Small</b>				
Re en serie (±10%)	3.79 Ohm	7.43 Ohm	3.63 Ohm	7.49 Ohm
Le	0.69 mH	1.08 mH	0.75 mH	1.34 mH
Diámetro de la bobina de voz	38.6 mm	38.6 mm	50.8 mm	50.8 mm
Longitud de la bobina de voz	22 mm	22 mm	22mm	22 mm
Sd	337 cm <sup>2</sup>	337 cm <sup>2</sup>	523 cm <sup>2</sup>	523 cm <sup>2</sup>
Vas	39.8 L	40.8 L	93.4 L	65.5 L
Fs	34 Hz	36.6 Hz	28 Hz	34 Hz
Qts	0.54	0.63	0.43	0.63
Qes	0.59	0.72	0.46	0.72
Mms	89.2 g	74.7 g	130.8 g	130.8 g
Mmd	85.7 g	71.2 g	124.0 g	124.0 g
BL	11.02 N/A	11.02 N/A	13.61 N/A	17.15 N/A
Xmax	6 mm	6 mm	6 mm	6 mm
Peso del imán	30 oz	30 oz	39 oz	39 oz

### Single Voice Coil Wiring Guide



### Dual Voice Coil Wiring Guide

